

お問い合わせは、立野電脳(株)。在庫があり。



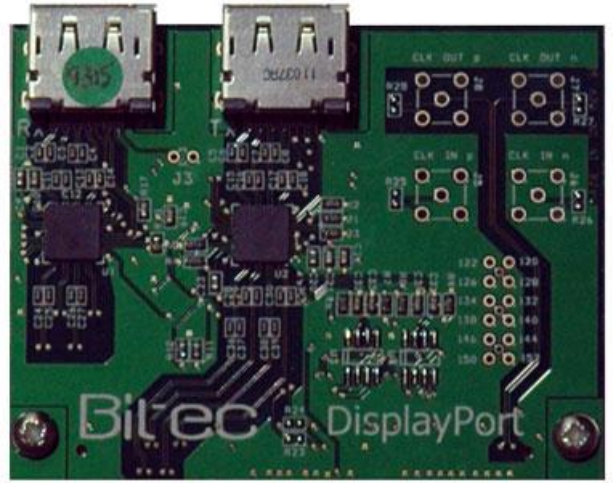
DSP Solutions For Industry & Research

Product Brief : DisplayPort Daughter Card

The Bitec DisplayPort daughter card allows developers a rapid prototyping DisplayPort solution. The board incorporates DP 1.2 re-drivers to eliminate signal integrity issues when running at 5.4Gbps.

The daughter card is designed to operate with the Bitec DisplayPort IP Core. Together with an Altera development kit, the daughter card provides both a capable development platform as well as a useful DisplayPort debug tool.

Bitec also offer a tailoring service for bespoke designs. For more information contact Bitec.

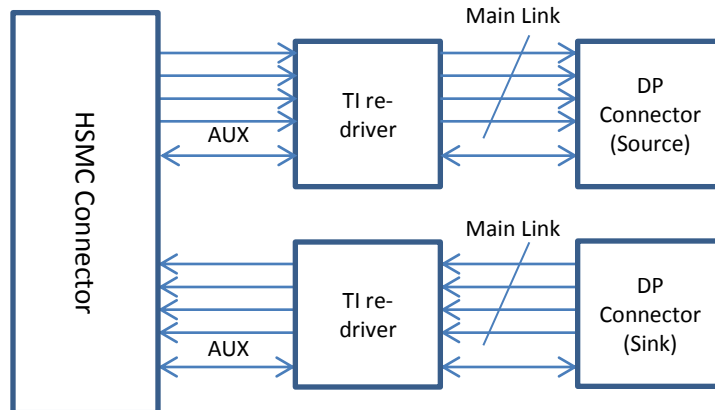


Features

- Supports DisplayPort 1.2 HBR2 (5.4Gbps)
- Integrated TI DP re-driver on source and sink signal path
- Compatible with Altera GX dev kits (Cyclone, Arria and Stratix)
- Clock and i/o expansion interface

Compatibility

- Cyclone V
- Arria II and V
- Stratix I, IV and V



立野電脳

EXT営業部

E-mail : sales@dsp-tdi.com

〒198-0063 東京都青梅市梅郷5-955 TEL.0428-77-7000 FAX.0428-77-7010

URL <http://www.dsp-tdi.com/>

Altera, MegaCore and the Altera and Cyclone logos are Reg. U.S. Pat. & Tm. Off. and marks of Altera in and outside the US

Bitec Iberia SL
CENTRO DE EMPRESAS, C/ Francisco Alonso 2.
Boadilla del Monte, Madrid, Spain
Tel: +34 62 027 45 62
Fax: +34 91 790 50 27