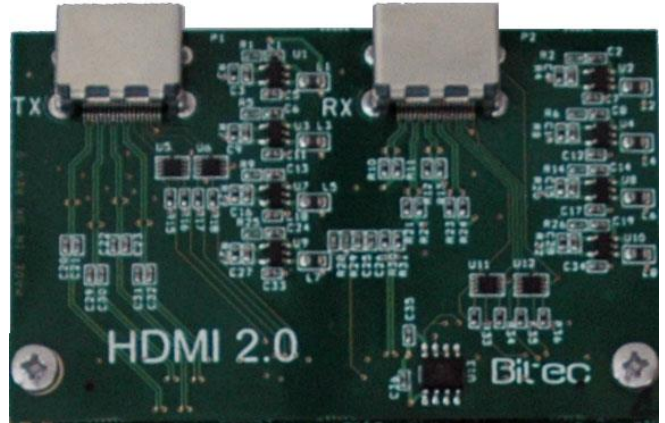


Product Brief : HDMI HSMC Daughter Card

The Bitec HDMI HSMC Daughter card provides an interface between HDMI coding signals to the FPGA transceiver i/o pins.

The daughter card is design to operate up to 6Gbps for the HDMI 2.0 video standard at 4K@60 video formats.

The daughter card is design to operate with the Bitec HDMI IP Core.

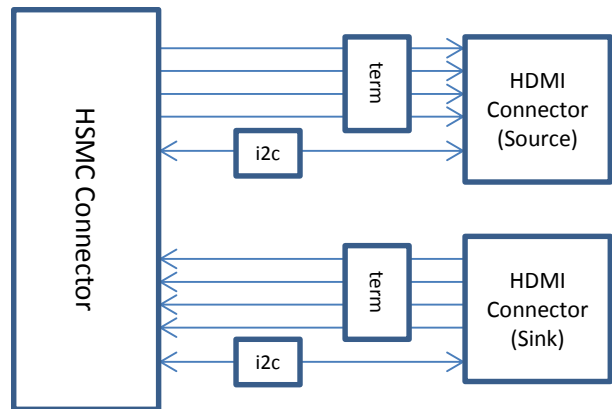


Features

- Supports up to 6Gbps
- Direct interface to FPGA Transceiver i/o pins
- Buffered i2c and CEC signal pins

Compatibility

- Cyclone V
- Arria II/V
- Stratix IV/V



お問い合わせは、

立野電脳 EXT営業部
E-mail : sales@dsp-tdi.com

〒198-0063 東京都青梅市梅郷5-955 TEL.0428-77-7000 FAX.0428-77-7010

Contact info@bitec-dsp.com for more information

URL <http://www.dsp-tdi.com/>